

1/16 - 1/8 MAXVU CONTROLLER CONCISE PRODUCT MANUAL (59572-3)

CAUTION: Installation should be only performed by technically competent personnel. It is the responsibility of the installing engineer to ensure that the configuration is safe. Local regulations regarding electrical installation & safety must be observed - e.g. US National Electrical Code (NEC) and/or Canadian Electrical Code. Impairment of protection will occur if the product is used in a manner not specified by the manufacturer.



1. INSTALLATION

Installation Guidance

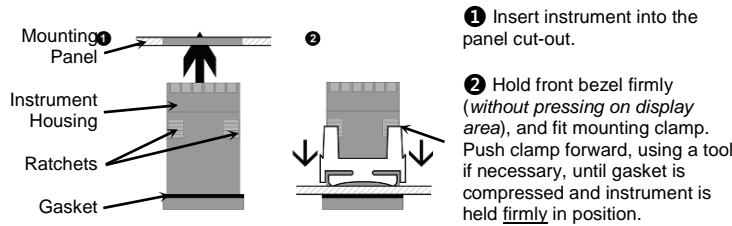
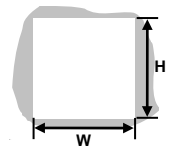
- Standards compliance shall not be impaired when fitted into the final installation.
- Designed to offer a minimum of Basic Insulation only
- Ensure that supplementary insulation suitable for Installation Category II is achieved when fully installed.
- To avoid possible hazards, accessible conductive parts of the final installation should be protectively earthed in accordance with EN61010 for Class 1 Equipment.
- Output wiring should be within a Protectively Earthed cabinet.
- Sensor sheaths should be bonded to protective earth or not be accessible.
- Live parts should not be accessible without the use of a tool.
- When fitted to the final installation, an IEC/CSA APPROVED disconnecting device should be used to disconnect both LINE and NEUTRAL conductors simultaneously.
- Do not position the equipment so that it is difficult to operate the disconnecting device.

Panel-Mounting

The mounting panel must be rigid, and may be up to 6.0mm (0.25inch) thick. Cut-out sizes are:

- 1/16: Width = 45mm, Height = 45mm
- 1/8: Width = 45mm, Height = 92mm

For *n* multiple instruments mounted side-by-side, cut-out width *W* is 48*n*-4mm.

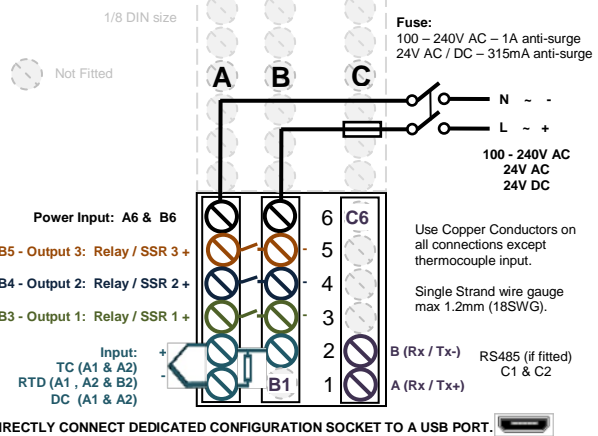


CAUTION: For an effective IP65 seal against dust and moisture, ensure gasket is well compressed against the panel, with the 4 tongues located in the same ratchet slot.

Rear Terminal Wiring

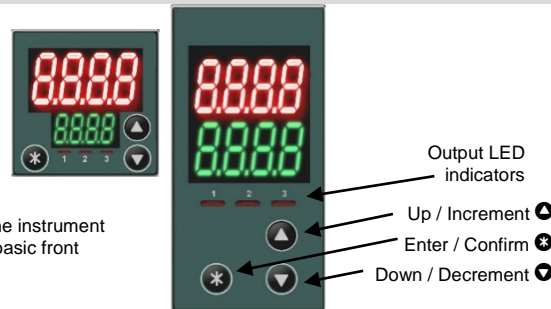
This diagram shows all possible option combinations. Check the product configuration before wiring.

CAUTION: Check information label on housing for correct operating voltage before connecting supply to Power Input



2. FRONT PANEL

Displays & Indicators



All versions of the instrument have the same basic front panel layout.

Keypad & General Navigation

Menu navigation, parameter editing and keypad use are described below. See the relevant manual sections for further information and exceptions.

General keypad usage & parameter editing:

- Press **▲** or **▼** keys to navigate between parameters
- To edit a parameter, press **✱**. The Parameter name (*lower display*) flashes when the parameter above can be edited / adjusted.
- Press **▲** or **▼** to change the parameter value (*upper display*).
- Edited values stop changing at the parameters limits. A further press of **▲** or **▼** past the parameter limit "wraps" the value back to the start (e.g. 0, 1, 2... ..98, 99, 100 **▲** 0, 1, 2...)
- To confirm the change, press **✱** within 60s otherwise the change is rejected.

To navigating to Setup or Advance Configuration from User Mode:

- Press and hold down **▲** and press **✱** for setup Mode, or
- Press and hold down **▼** and press **✱** for advanced configuration.

Returning to User Mode from other modes:

- After 120 seconds without key activity the unit returns automatically to the 1st User mode screen, or
- Press and hold down **▲** and press **▲** to move back up one level.

3. FIRST POWER-UP (SETUP MODE)

When first powered up or after a factory reset (default) the instrument enters Setup Mode.

Important Note: The device remains in Setup, or will keep powering up back into Setup Mode, until all parameters have been reviewed and the user exits the Setup Mode.

Setup mode lock code	S.Loc	Enter lock code to continue. Default is 10.	10
Screen Name	Lower Display	Upper Display	Adjustment Range & Description Default Value
Input Type	TYPE	TC..J	J Thermocouple -200 – 1200°C -328 – 2192°F
			K Thermocouple -240 – 1373°C -400 – 2503°F
			PT100 -199 – 800°C -328 – 1472°F
			B Thermocouple 100 – 1824°C 211 – 3315°F
			C Thermocouple 0 – 2320°C 32 – 4208°F
			L Thermocouple 0 – 762°C 32 – 1403°F
			N Thermocouple 0 – 1399°C 32 – 2551°F
			R Thermocouple 0 – 1795°C 32 – 3198°F
			S Thermocouple 0 – 1762°C 32 – 3204°F
			T Thermocouple -240 – 400°C -400 – 752°F
			0 – 20mA DC
			4 – 20mA DC
			0 – 50mV DC
			10 – 50mV DC
0 – 5V DC			
1 – 5V DC			
0 – 10V DC			
2 – 10V DC			
Input Units	Unit	C	Temperature displayed as °C.
		F	Temperature displayed as °F.
Process Display Resolution	dEc.P	0000	No decimal places
			1 decimal place
			2 decimal places
			3 decimal places
Scale Input Upper Limit	ScUL	Scale Input Lower Limit +100 display units to range maximum. (Only visible in Setup Mode when a dc linear type is selected)	Input max Lin=1000
Scaled Range Lower Limit	ScLL	Range minimum to Scale Input Upper Limit -100 display units. (Only visible in Setup Mode when a dc linear type is selected)	Input min Linear=0

Output 1 Usage	OUT1	HEAT	Heat Power	HEAT
		COOL	Cool Power	
		AL1	Alarm 1	
		AL2	Alarm 2	
		AL12	Alarm 1 or 2	
Output 2 Usage	OUT2	As Output 1 Usage	AL1	
		As Output 1 Usage	AL2	
Alarm 1 Adjust	AL_1	Range minimum to range maximum	1373	
Alarm 2 Adjust	AL_2	OFF disables the alarm. Default high alarm	-240	
		OFF disables the alarm. Default low alarm		
Setpoint Adjust	SP	Target setpoint adjustable between setpoint upper and lower limits	0	
Automatic Tuning Start/Stop	tunE	OFF	Use current PID control terms or manually tune	OFF
		PrE	Start a pre-tune routine	
		AtSP	Start the tune at setpoint	

4. USER MODE

Screen Name	Lower Display	Upper Display	Screen Usage and Visibility
Basic Setpoint Control 1st Screen (Automatic Mode)	Effective Setpoint	Process Variable	Basic Setpoint Control enabled – automatic control. Press ▲ or ▼ to instantly adjust setpoint. If ramping, the target setpoint is shown while adjusting. OFF replaces the setpoint if control is disabled.
Basic Setpoint Control 1st Screen (Manual Mode)	Manual Power	Process Variable	Basic Setpoint Control enabled - manual control. Press ▲ or ▼ to instantly adjust manual power. The power value is shown as Pxxx .
The following screens are not shown when Basic Setpoint Control enabled (see the display sub-menu d.SP in Advance configuration – Section 6)			
User 1st Screen (Automatic Mode)	Effective Setpoint	Process Variable	Available in automatic control mode. If ramping, the target setpoint is shown while adjusting. OFF replaces setpoint if control is disabled. dLY replaces setpoint if control delayed.
User 1st Screen (Manual Mode)	Manual Power	Process Variable	Available in manual control mode. Manual Power value is shown as Pxxx .
Important: To appear in the User Mode the visibility setting for any of the parameters below must be SHLJ in the OPtE sub-menu.			
Alarm Status	ALSt	Active Alarms	Active only when alarms are active. 1 = Alarm 1 active 2 = Alarm 2 active L = Loop Alarm active. Any combination can be displayed here
Latch Status	LAtch	Latched Outputs	Active only when an output is latched on. 1 = Output 1 2 = Output 2 3 = Output 3 Clear by pressing ✱ .
Maximum PV	MA	Value	Clear by pressing ✱ .
Minimum PV	MI	Value	Clear by pressing ✱ .
Control Enable	Ctrl	OFF	Control output(s) disabled. (except in manual mode)
		On	Control output(s) enabled. PID or On-Off control available.
Manual Control Enable	MCt	OFF	Instrument in automatic control mode (manual control OFF).
		On	Manual control ON. Power is shown as Pxxx in 1st User screen.
Time On Remaining	OnT	Time left for ON timer	Active only when the ON Timer is decrementing. When time = 0 control is disabled. Screen persists until time = 0.
Delay Time Remaining	dT	Time left for delay timer	Active only when the Delay time is decrementing. When this time expires control is enabled.

Messages & Error Codes

Some messages provide useful information about the process, others indicate error, or problem with the process variable signal or its wiring.

Caution: Do not continue with the process until the issue is resolved.

Screen Name	Lower Display	Upper Display	Screen Meaning and Visibility
Alarm Active	Normal	-AL-	One or more alarms are active (alternates with PV). Optional – see d.SP
Output Latched	Normal	Ltch	One or more output are latched on (alternates with PV), and no alarm is active
Input Over Range	Normal	-HH-	Process variable input >5% over-range.

Screen Name	Lower Display	Upper Display	Screen Meaning and Visibility
Input Under Range	Normal	-LL-	Process variable input >5% under-range.
Input Sensor Break	OFF	OPEN	Break detected in process variable input sensor or wiring.
Un-calibrated Input	OFF	Err	Selected input range has not been calibrated.
Manual Power	Pxxx	Normal	Manual power value replaces the setpoint.
Setpoint Ramping	SPr	Normal	Setpoint ramp is active (alternates with setpoint)
Control Disabled	OFF	Normal	Control is disabled, control outputs are off.
Control Delayed	dLY	Normal	Visible if control delayed by Delayed Start Time (d.t.i)
Automatic Tuning	tunE	Normal	Tuning is active (alternates with setpoint).
Automatic Tuning Errors	tEr	Normal	If the tune fails the display alternates between the tune error code and the setpoint. Remains visible until tune set to off.
	tEr1		PV is within 5% of setpoint
	tEr2		Setpoint is ramping
	tEr3		Control is ON/OFF
	tEr4		Control is manual
	tEr5		Tune at Setpoint not able to run
	tEr6		Sensor break
	tEr7		Timer running
	tEr8		Control is disabled

5. SPECIFICATIONS

UNIVERSAL INPUT

Thermocouple Calibration: ±0.25% of full range, ±0.4% of full range below 110°C with 1dp ranges, ±1LSD (±1°C for Thermocouple CJC). BS4937, NBS125 & IEC584.

PT100 Calibration: ±0.25% of full range, ±0.4% of full range above 520°C with 1dp ranges, ±1LSD. BS1904 & DIN43760 (0.00385Ω/Ω°C).

DC Calibration: ±0.2% of full range, ±1LSD.

Sampling Rate: 4 per second.

Impedance: >10MΩ resistive, except DC mA (5Ω) and V (47kΩ).

Sensor Break Detection: Thermocouple, RTD, 4 to 20mA, 2 to 10V and 1 to 5V ranges only. Control outputs turn off.

Isolation: Isolated from all outputs (except SSR driver) by at least BASIC isolation. Universal input must not be connected to operator accessible circuits if relay outputs are connected to a hazardous voltage source. Supplementary insulation or input grounding would then be required. Isolated from Mains Power Input by basic isolation.

OUTPUTS

RELAYS (OPTIONAL)

Contacts: SPST Form A relay; current capacity 2A at 250VAC.

Lifetime: >150,000 operations at rated voltage/current, resistive load.

Isolation: Basic isolation from universal input and SSR outputs.

SSR Drivers (OPTIONAL)

Drive Capability: SSR drive voltage >10V at 20mA

Isolation: Not isolated from universal input or other SSR driver outputs.

SERIAL COMMUNICATIONS (OPTIONAL)

Physical: RS485, at 1200, 2400, 4800, 9600, 19200 or 38400 bps.

Protocols: Modbus RTU.

Isolation: Basic safety isolation from Universal input and SSR. Basic safety isolation to Mains and Relay Circuits.

OPERATING CONDITIONS

Usage: For indoor use only, mounted in suitable enclosure

Ambient Temperature: 0°C to 55°C (Operating), -20°C to 80°C (Storage).

Relative Humidity: 20% to 95% non-condensing.

Altitude: <2000m

Supply Voltage and Power: 100 to 240VAC ±10%, 50/60Hz, 7.5VA (for mains powered versions), or 24VAC +10/-15% 50/60Hz 7.5VA or 24VDC +10/-15% 5W (for low voltage versions).

ENVIRONMENTAL

Standards: CE, UL and cUL.

EMI: Complies with EN61326-1:2013.

Safety Considerations: Complies with UL61010-1 Edition 3, Pollution Degree 2 and Installation Class 2.

Front Panel Sealing: Front to IP65 when correctly mounted, Rear of panel to IP20.

PHYSICAL

Front Bezel Size: 1/16 Din = 48 x 48 mm,

1/8 Din = 48 x 96 mm

Depth Behind Panel: 67mm with sealing gasket fitted.

Weight: 0.20kg maximum

6. ADVANCED CONFIGURATION

The advanced configuration gives access to all of the features of the unit.

Advanced Configuration Mode Navigation

Press **⬅** or **➡** to navigate to the required sub-menu, then press **⏏** to enter.

Advanced Configuration Main Menu

Advanced Configuration Mode Lock Code	A.Loc	Enter lock code to enter Advanced Configuration. Default code is 20 .	20
Screen Name	Lower Display	Upper Display	Sub-Menu Usage and Visibility
User Settings		USER	Provides access to Control and Manual Mode enable/disable. Only shown if Basic User mode is select in d.SP (see below).
Input Setup		InPt	Configuration parameters for the process input.
Input Calibration		CAL	Single or two point calibration adjustments for the process input.
Output Setup		OUTP	Configuration parameters for the outputs.
Control Setup		CONt	PID control tuning & configuration parameters. Hidden if no control output set.
Setpoint & Timer Setup	Adj	SPt	Setpoint and timer settings.
Alarm Setup		ALM	Alarm configuration parameters.
Communications Setup		COM	Modbus communications settings. Only shown if RS485 option is fitted
Display Settings		d.SP	Enable Basic Mode and change lock codes.
Operator Setup		OPtr	Control what appears in User Mode screen.
Product Information		InFo	View product serial number and manufacturing information.

User Sub-Menu: **USER**

Provides access to Output Control Enable / Disable.

Screen Name	Lower Display	Upper Display	Adjustment Range & Description	Default Value
Alarm Status	ALSt	Active Alarms	Visible when alarms are active - L2 1 are active. 1 = Alarm 1 active 2 = Alarm 2 active 3 = Loop Alarm active	Blank
Latch Status	LASt	Latched Alarms	Active when an output is latched - L2 3 are active. 1 = Output 1 2 = Output 2 3 = Output 3	Blank
Maximum PV	PMA		Max/Min PV recorded whilst powered up or since last reset. To clear press ⏏ then to select YES . Press ⏏ to accept.	
Minimum PV	PMin			
Control Enable	CnEt	OFF	Control output(s) disabled.	On
Manual Control Enable	MnCE	On	Control output(s) enabled. PID or On-Off control available.	
		OFF	Instrument in automatic control mode (manual control OFF).	OFF
		On	Manual control ON. Power is shown as Pxxx in 1 st User screen.	

Input Sub-Menu: **InPt**

Screen Name	Lower Display	Upper Display	Adjustment Range & Description	Default Value
Input Type	TYPE		Options available same as in setup mode (section 3)	TC.P
Input Units	UnIt	C	Temperature displayed as °C	C
		F	Temperature displayed as °F	
Process Display Resolution	dEc.P	0000	No decimal places	0000
		000.0	1 decimal place	
		00.00	2 decimal places	Not available for temperature inputs.
		0.000	3 decimal places	
Scaled Range Upper Limit	ScUL		Scale Input Lower Limit +100 display units to range maximum	Input max Lin=1000
Scaled Range Lower Limit	ScLL		Range minimum to Scale Input Upper Limit - 100 display units	Input min Linear=0
Input Filter Time	Filt		OFF or 0.5 to 100.0 seconds in 0.5 increments	2.0

Screen Name	Lower Display	Upper Display	Adjustment Range & Description	Default Value
Cold Junction Compensation		CJC	Enables the internal thermocouple CJC.	On
		OFF	Disables the internal CJC. External compensation must be provided for thermocouples.	

Input Calibration Sub-Menu: **CAL**

Single or two point calibration adjustments for the process input. If the error is not constant across the sensor range, measure the error at a low point and high point in the process, and use two point calibration to correct it.

Screen Name	Lower Display	Upper Display	Adjustment Range & Description	Default Value
Single Point Offset		OFF5	Shifts the input value up or down by the offset amount across the entire range.	0
Low Calibration Point		L.CAL	The value at which the low point error was measured.	Lower Limit
Low Offset		L.OFF	Enter an equal, but opposite offset value to the observed low point error.	0
High Calibration Point		H.CAL	The value at which the high point error was measured.	Upper Limit
High Offset		H.OFF	Enter an equal, but opposite offset value to the observed high point error.	0

Output Setup Sub-Menu: **OUTP**

Screen Name	Lower Display	Upper Display	Adjustment Range & Description	Default Value
Output 1 Usage		OUT1	Heat Power	
		COOL	Cool Power	
		AL1	Alarm 1	HEAT
		AL2	Alarm 2	
		AL12	Alarm 1 or 2	
		Loop	Control loop alarm (2 x Integral time)	
		AL12	Control loop alarm (2 x Integral time)	
Output 1 Alarm Action		Act1	Output changes with the alarm	d ir
		rEv	Output changes in opposition to alarm	
Output 1 Alarm Latching		LAc1	Latching off	OFF
		On	Latching on	
LED Indicator 1 Inverting		Ind1	LED Indicator changes with the output	d ir
		rEv	LED Indicator changes in opposition to the output	
Output 2 Usage		OUT2	As Output 1 Usage	AL1
Output 2 Alarm Action		Act2	As Output 1 Alarm Action	d ir
Output 2 Alarm Latching		LAc2	As Output 1 Alarm Latching	OFF
LED Indicator 2 Inverting		Ind2	As LED Indicator 1 Inverting	d ir
Output 3 Usage		OUT3	As Output 1 Usage	AL2
Output 3 Alarm Action		Act3	As Output 1 Alarm Action	d ir
Output 3 Alarm Latching		LAc3	As Output 1 Alarm Latching	OFF
LED Indicator 3 Inverting		Ind3	As LED Indicator 1 Inverting	d ir

Control Sub-Menu: **CONt**

PID control tuning & configuration parameters. Hidden if no control outputs are set.

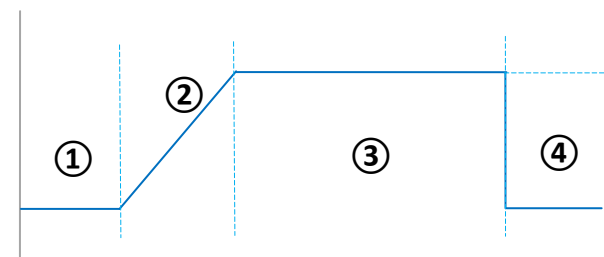
Screen Name	Lower Display	Upper Display	Adjustment Range & Description	Default Value
Heat Proportional Band		H.Pb	In display units. 0.0 (0n.0F) and range: 0.5 to 999.9 units.	16 1
Cool Proportional Band		C.Pb		16 1
Automatic reset (integral time)		In.t	1 second to 99 minutes 59 seconds and OFF	5.00
Rate (derivative time)		dEr.t	OFF 0 seconds to 99 minutes 59 seconds	1.15
Overlap/Deadband		0.d	In display units, range -20% to +20% of Heat and Cool Proportional Band	0
ON/OFF differential		d.iFF	In display units, centred about the setpoint, range: 0.1% to 10.0% of input span	8
Loop Alarm Time		LA.t	Visible when using On/Off control (i.e. when H.Pb or C.Pb = 0n.0F) Sets the time to wait before the loop alarm becomes active.	99.59
Manual Reset (Bias)		b.iAS	0 to 100%	25

Screen Name	Lower Display	Upper Display	Adjustment Range & Description	Default Value
Heat Cycle Time		HcYc	(-100% to 100% if heat/cool control)	32.0
Cool Cycle Time		CcYc	0.1 to 512.0 seconds	32.0
Heat and Cool output Inhibit		OPLC	Inhibits simultaneous switching of both heat and cool outputs.	OFF
Heat Power Limit		HPL	% power upper limit 0 to 100%	100
Cool Power Limit		CPL	% power upper limit 0 to 100%	100
Power Up Action		PUP	Powers up with control enable in the same state as on power fail	LAST
		ON	Always powers up with control enabled	
Automatic Tuning Start/Stop		tunE	Use current PID control terms or manually tune	OFF
		P.rE	Start a pre-tune routine	
		ALtSP	Start the tune at setpoint	

Setpoint & Timer Sub-Menu: **SPt**

Setpoint and timer settings. The timer can apply a delay before enabling control; a controlled ramp towards the target setpoint; a limit to the time at target setpoint before disabling control. Timer is not available in basic mode.

Screen Name	Lower Display	Upper Display	Adjustment Range & Description	Default Value
Timer Enable		tEnb	Enables the delay and on timers, functions at next power-up / control enable.	d.iSA
		d.iSA	Delay and on timers, are ignored, but setpoint ramping is not disabled.	
Delayed Start Time		d.t.	The time from power-up or a control enable request before control begins, from 00.0 1 to 99.59 or OFF . (Hours.Minutes) Control disabled until time elapsed.	OFF
Ramp Rate		rAtE	The rate (in units / hour) from current PV to setpoint following power-up or control enable. From 0.00 1 to 9999 or OFF Setpoint changes also follow this rate.	OFF
On Time		On.t	The time the target setpoint will be maintained once reached, from 00.0 1 to 99.59 or OFF . Control remains on indefinitely if set to INF . (Hours.Minutes)	INF
Setpoint Upper Limit		SPuL	The maximum allowed setpoint value, from current setpoint to scaled upper limit.	Upper Limit
Setpoint Lower Limit		SPLL	The minimum allowed setpoint value, from current setpoint to scaled lower limit.	Lower Limit



- At switch on or from control enable the unit will delay enabling control until the start timer (Delayed Start Time) expires.
- The setpoint then ramps from the current PV to the setpoint at the Setpoint Ramp Rate.
- When a ramp rate is not defined the active setpoint will step directly to the target setpoint. Once the active setpoint reaches the target setpoint, the 'on' timer (On Time) starts.
- When the on timer expires the control switches off.

If no time is defined for the on timer, control continues indefinitely unless manually disabled.

Alarm Sub-Menu: **ALM**

Screen Name	Lower Display	Upper Display	Adjustment Range & Description	Default Value
Alarm 1 Type		AL1t	None	P.h.
		nonE	None	
		P.h.	Process High Alarm	
		P.Lo	Process Low Alarm	
Alarm 1 Value		dEv	Deviation Alarm	1373
		bAnd	Band Alarm	
Alarm 1 Hysteresis		AL_1	Range minimum to range maximum OFF disables the alarm.	1
Alarm 2 Type		HYS 1	0 to full span.	1
Alarm 2 Value		AL2t	As Alarm 1	P.Lo
		AL_2	Range minimum to range maximum OFF disables the alarm.	-240

Screen Name	Lower Display	Upper Display	Adjustment Range & Description	Default Value
Alarm 2 Hysteresis		HYS2	0 to full span.	1
Alarm Inhibit		inh.	Inhibit these alarms if active at power-up and on change in setpoint.	nonE
		nonE	None	
		1	Alarm 1	
		1 2	Alarm 1 and Alarm 2	
Alarm Notification		NotE	Alternating indication -AL- shown when these alarms are active.	1 2
		nonE	None	
		1	Alarm 1	
		1 2	Alarm 1 and Alarm 2	
Sensor Break Alarm		SbAc	On activates both alarms when a sensor break is detected.	OFF

Communications Sub-Menu: **COM**

Modbus communications settings. Only shown if RS485 option is fitted

Screen Name	Lower Display	Upper Display	Adjustment Range & Description	Default Value
Modbus Address		Add	The device network address from 1 to 255	1
Baud Rate		bAud	The communications data rate in kbps from: 1.2 (1200) 2.4 (2400) 4.8 (4800) 9.6 (9600) 19.2 (19200) 38.4 (38400)	9.6
Parity		Prty	Parity checking: Odd , Even or nonE	nonE

Display Sub-Menu: **d.SP**

Enable Basic Mode and change lock codes.

Screen Name	Lower Display	Upper Display	Adjustment Range & Description	Default Value
Setup Lock Code		S.Loc	View and adjust lock code to allow entry to the Setup Mode. Adjustable from 1 to 9999 or OFF to allow unrestricted access	10
Advanced Configuration Lock Code		A.Loc	View and adjust lock code to allow entry to the Advanced Configuration. Adjustable from 1 to 9999 or OFF to allow unrestricted access	20
Basic Setpoint Control Enable/Disable		bASc	Basic Setpoint Control allows user to only change the setpoint or manual power.	d.iSA
Reset to Defaults		dFlt	Reset all parameters back to their factory defaults Reset by pressing ⏏ and selecting YES	

Operator Sub-Menu: **OPtr**

Controls what appears in the User Mode when Basic Mode is disabled.

Screen Name	Lower Display	Upper Display	Sub-Menu Usage and Visibility	Default Value
PV Maximum		PMA		H idE
PV Minimum		PMin		H idE
Alarm Status		ALSt		H idE
Latch Status		LASt	Hide or show parameters in User Mode when Basic Mode is disabled.	SHW
Control Enabled		CnEt		H idE
Manual Control Enabled		MnCE		H idE
Time On Remaining		On.t		H idE
Delay Time Remaining		dLt		H idE

Product Information Sub-Menu: **InFo** (Read-Only view)

Screen Name	Lower Display	Description
Product Revision	P.rL	The hardware/software revision level.
Firmware Type	FtYP	The firmware code type.
Firmware Issue	iSS	The firmware version number
Serial Number 1	SEr 1	First four digits of serial number
Serial Number 2	SEr 2	Middle four digits of serial number
Serial Number 3	SEr 3	Last four digits of serial number
Date of Manufacture	dOM	Date of manufacture (<i>mmyy</i>)